

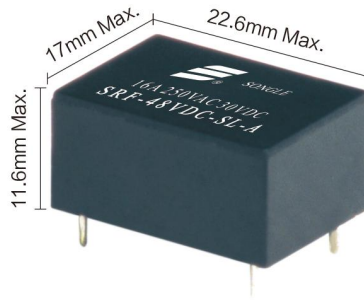
超小型大功率继电器

Subminiature High Power Relay

16A

特性 / FEATURES

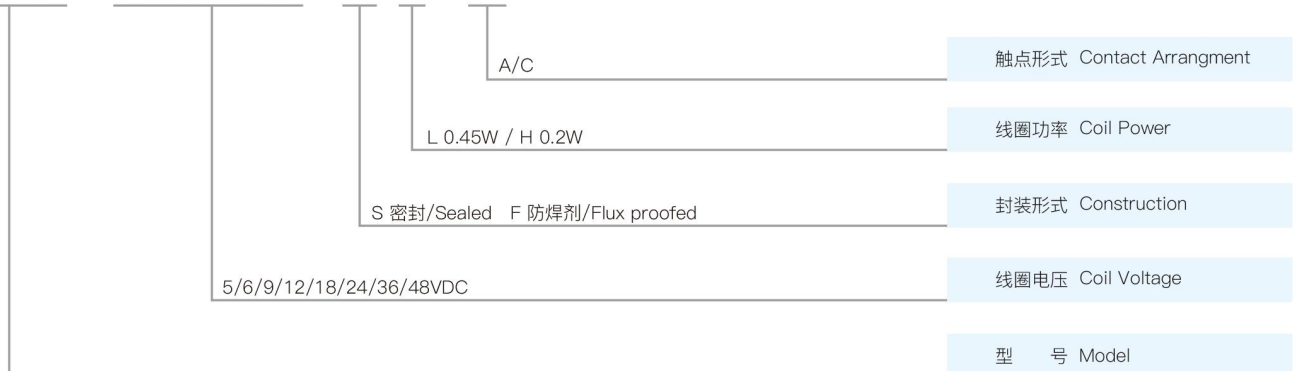
- 超轻型继电器
Super light in weight
- 高灵敏度
High sensitivity
- 通断容量高达16A
Switching capacity upto 16A
- 可直接焊接在印刷线路板中
PC board mounting



RoHS
Compliant

订购信息 / ORDERING INFORMATION

SRF-12VDC-S L-C



触点参数 / CONTACT PARAMETERS

触点形式	Contact arrangement	A, C
接触电阻	Contact resistance	≤50mΩ (1A 6VDC)
触点材质	Contact material	银合金/Silver alloy: AgSnO ₂ In ₂ O ₃ , AgSnO ₂ , AgNi
触点负载(阻性)	Contact rating(Res. load)	16A 250VAC/30VDC
最大切换电压	Max switching voltage	277VAC/30VDC
最大切换电流	Max switching current	16A
最大切换功率	Max switching power	4000VA/480W
电耐久性 (频率:每小时360次)	Electrical endurance (Frequency:360 ops/h)	1x10 ⁶ ops / 1x10 ⁴ ops
机械耐久性 (频率:每小时18000次)	Mechanical endurance (Frequency:18000 ops/h)	1x10 ⁷ ops

特性参数 / CHARACTERISTICS PARAMETERS

绝缘等级	Insulation level		B/F
绝缘电阻	Insulation resistance		100MΩ(500VDC)
介质耐压 (漏电流 1mA)	Dielectric strength (Leakage current 1mA)	线圈与触点间 Between coil and contacts	2500VAC 1min
		断开触点间 Between open contacts	1000VAC 1min
吸合时间(额定电压下)	Operate time(at nominal voltage)		≤10ms
释放时间(额定电压下)	Release time (without diode) (at nominal voltage)		≤5ms
湿度	Humidity		5% ~ 85% RH
环境温度(°C)	Ambient temperature		-40°C ~ +85°C
抗冲击	Shock resistance	稳定性/Functional	98m/s ²
		强度/Destructive	980m/s ²
抗振动(双振幅)	Vibration resistance (Double amplitude)		10Hz~55Hz 1.5mm
重量	Weight		约/Approx 10g
封装形式	Construction		密封/Sealed 防焊剂/Flux proofed

备注: 以上数据均为初始值

Remark: All above data is initial value

线圈参数 / COIL PARAMETERS

常温/At (23°C)

功耗(W)	Power consumption(W)	0.45W(L)								0.2W(H)							
		05	06	09	12	18	24	36	48	05	06	09	12	18	24	36	48
额定电压(VDC)	Nominal voltage(VDC)	05	06	09	12	18	24	36	48	05	06	09	12	18	24	36	48
线圈电阻(Ω±10%)	Coil resistance(Ω±10%)	56	80	180	320	720	1280	2880	5120	125	180	405	720	1620	2880	6480	11520
吸合电压(Max)	Pick-up voltage(Max)	80% 额定电压(Nominal voltage)								75% 额定电压(Nominal voltage)							
释放电压(Min)	Drop-out voltage(Min)	10% 额定电压(Nominal voltage)								5% 额定电压(Nominal voltage)							
允许最大电压(VDC)	Max allowable overdrive voltage(VDC)	130% 额定电压(Nominal voltage)															

安全认证(相关认证以第三方认证证书为准) / SAFETY APPROVAL RATINGS

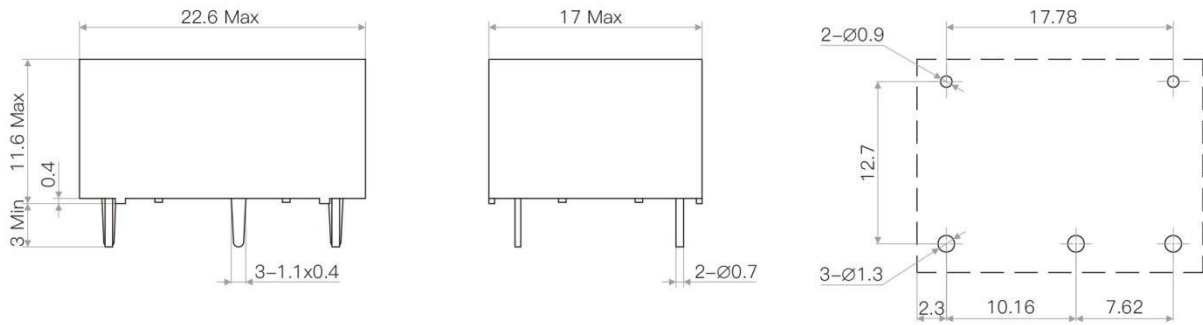


超小型大功率继电器 Subminiature High Power Relay

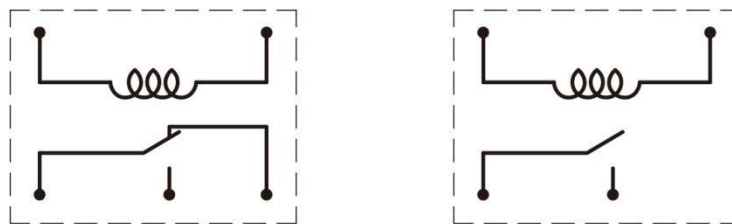
16A

外形图 / OUTLINE DIMENSIONS

单位/Unit(mm)


 安装孔图(底视图)/Installation hole drawing(Bottom view)
未注公差/Tolerance:±0.1

线路图(底视图) / WIRING DIAGRAM (BOTTOM VIEW)



转换C型/Conversion C type

常开A型/Normally open A type

性能曲线图 / CHARACTERISTIC CURVES

