

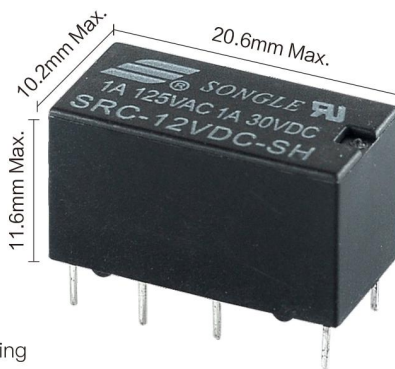
超小型双列直插式继电器

Subminiature Dip Relay

1A

特性 / FEATURES

- 采用分叉触点形式
Bifurcated contacts
- 高切换容量125VA/60W
High switching capacity: 125VA/60W
- DIP结构, 与标准16脚IC插座匹配
Matching 16 pin IC socket
- 密封结构, 适用于波峰焊和浸渍清洗
Epoxy sealed for automatic-wave soldering and cleaning



RoHS
Compliant

订购信息 / ORDERING INFORMATION

SRC-12VDC-S L-2C

2C	触点形式 Contact Arrangement
L 0.36W / H 0.2W	线圈功率 Coil Power
S 密封/Sealed F 防焊剂/Flux proofed	封装形式 Construction
3/5/6/9/12/18/24VDC	线圈电压 Coil Voltage
	型号 Model

触点参数 / CONTACT PARAMETERS

触点形式	Contact arrangement	2C
接触电阻	Contact resistance	≤50mΩ (1A 6VDC)
触点材质	Contact material	银合金/Silver alloy: AgSnO ₂ In ₂ O ₃ , AgSnO ₂ , AgNi
触点负载(阻性)	Contact rating(Res. load)	1A 120VAC, 2A 30VDC
最大切换电压	Max switching voltage	220VAC/30VDC
最大切换电流	Max switching current	2A
最大切换功率	Max switching power	125VA/60W
电耐久性 (频率:每小时360次)	Electrical endurance (Frequency:360 ops/h)	1x10 ⁵ ops / 1x10 ⁴ ops
机械耐久性 (频率:每小时18000次)	Mechanical endurance (Frequency:18000 ops/h)	1x10 ⁷ ops

超小型双列直插式继电器

Subminiature Dip Relay

1A

特性参数 / CHARACTERISTICS PARAMETERS

绝缘等级	Insulation level		B/F
绝缘电阻	Insulation resistance		100MΩ(500VDC)
介质耐压 (漏电流 1mA)	Dielectric strength (Leakage current 1mA)	线圈与触点间 Between coil and contacts	1000VAC 1min
		断开触点间 Between open contacts	500VAC 1min
吸合时间(额定电压下)	Operate time(at nominal voltage)		≤6ms
释放时间(额定电压下)	Release time (without diode) (at nominal voltage)		≤5ms
湿度	Humidity		5% ~ 85% RH
环境温度(°C)	Ambient temperature		-40°C ~ +85°C
抗冲击	Shock resistance	稳定性/Functional	196m/s ²
		强度/Destructive	980m/s ²
抗振动(双振幅)	Vibration resistance (Double amplitude)		10Hz~55Hz 1.5mm
重量	Weight		约/Approx 6g
封装形式	Construction		密封/Sealed 防焊剂/Flux proofed

备注: 以上数据均为初始值

Remark: All above data is initial value

线圈参数 / COIL PARAMETERS

常温/At (23°C)

功耗(W)	Power consumption(W)	0.36W(L)								0.2W(H)							
		03	05	06	09	12	18	24	03	05	06	09	12	18	24		
额定电压(VDC)	Nominal voltage(VDC)	25	69.4	100	225	400	900	1600	45	125	180	405	720	1620	2880		
线圈电阻(Ω±10%)	Coil resistance(Ω±10%)																
吸合电压(Max)	Pick-up voltage(Max)	75% 额定电压(Nominal voltage)															
释放电压(Min)	Drop-out voltage(Min)	5% 额定电压(Nominal voltage)															
允许最大电压(VDC)	Max allowable overdrive voltage(VDC)	130% 额定电压(Nominal voltage)															

安全认证(相关认证以第三方认证证书为准) / SAFETY APPROVAL RATINGS



E167996

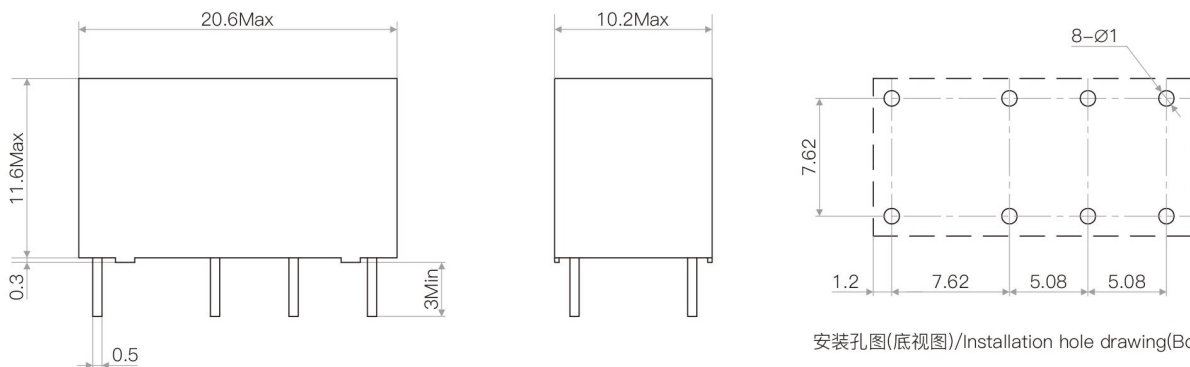
1A 120VAC

超小型双列直插式继电器 Subminiature Dip Relay

1A

外形图 / OUTLINE DIMENSIONS

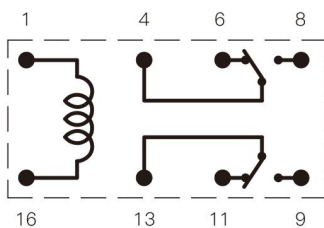
单位/Unit(mm)



安装孔图(底视图)/Installation hole drawing(Bottom view)

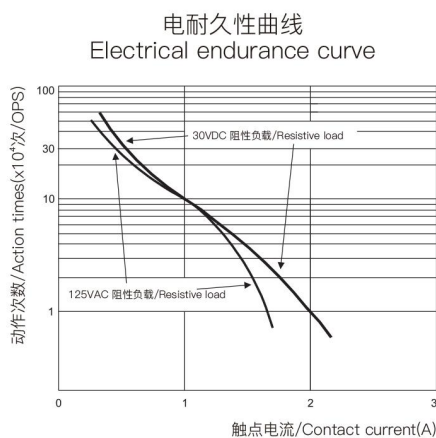
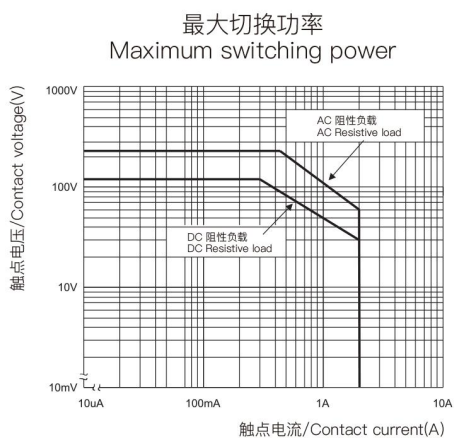
未注公差/Tolerance:±0.1

线路图(底视图) / WIRING DIAGRAM (BOTTOM VIEW)



转换2C型/Conversion 2C type

性能曲线图 / CHARACTERISTIC CURVES



测试条件: 阻性负载, 85°C, 1s通9s断

Test conditions: Resistive load, at 85°C, 1s on 9s off.