

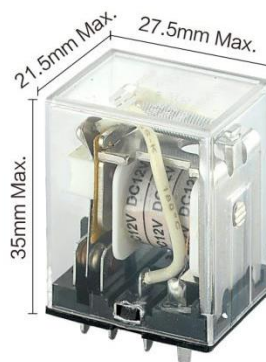
小型大功率继电器

Miniature High Power Relay

10A

特性 / FEATURES

- 功耗低，反应灵敏
Low coil power consumption with high sensitive
- 寿命长，可靠性好
Long service endurance, high reliability
- 可供选择安装形式：PCB端子，插入式端子
PCB terminal, socket types available for different consideration



RoHS
Compliant

订购信息 / ORDERING INFORMATION

SMBH-12VDC-1-2C

2A / 2C	触点形式 Contact Arrangement
1.PCB 端子/PCB terminal 无: 快连接端子/Without: QC terminal	结构形式 Version
12VDC/24VDC/48VDC	线圈电压 Coil voltage
	型号 Model

触点参数 / CONTACT PARAMETERS

触点形式	Contact arrangement	2A, 2C
接触电阻	Contact resistance	≤100mΩ
触点材质	Contact material	银合金/Silver alloy: AgSnO ₂ In ₂ O ₃ , AgSnO ₂ , AgNi
触点负载	Contact rating	10A 250VAC/30VDC
最大切换电压	Max switching voltage	250VAC/30VDC
最大切换电流	Max switching current	10A
最大切换功率	Max switching power	2500VA/300W
电气寿命 (频率:每小时360次)	Electrical endurance (Frequency:360 ops/h)	1x10 ⁵ ops
机械寿命 (频率:每小时18000次)	Mechanical endurance (Frequency:18000 ops/h)	1x10 ⁷ ops

特性参数 / CHARACTERISTICS PARAMETERS

绝缘等级	Insulation level	Class B / Class F	
绝缘电阻	Insulation resistance	≥100MΩ	
介质耐压 (漏电流 1mA)	Dielectric strength (Leakage current 1mA)	线圈与触点间 Between coil and contacts	1500VAC 1分钟/minute
		断开触点间 Between open contacts	1000VAC 1分钟/minute
吸合时间(额定电压下)	Operate time(at nominal voltage)	≤ 25ms	
释放时间(额定电压下)	Release time (without diode)(at nominal voltage)	≤ 25ms	
湿度	Humidity	5% ~ 85% RH	
环境温度	Ambient temperature	-40°C ~ +85°C/+105°C	
抗冲击	Shock resistance	稳定性/Functional	98m/s ²
		强度/Destructive	980m/s ²
抗振动	Vibration resistance	10Hz~55Hz 1.0mm 双振幅/Double amplitude	
重量	Weight	约/Approx 35g	
封装形式	Construction	防尘型/Dustproof type	

备注: 以上数据均为初始值

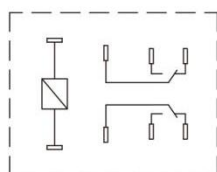
Remark: All above data is initial value

线圈参数 / COIL PARAMETERS

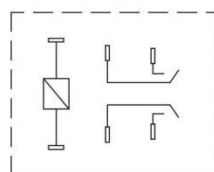
常温/At 23°C

功耗(W)	Power consumption(W)	约/Approx 0.9W		
额定电压(VDC)	Nominal voltage(VDC)	12	24	48
额定电流(mA)	Nominal current(mA)	75	36.9	18.5
电阻(Ω±10%)	Resistance(Ω±10%)	160	650	2600
吸合电压(Max)	Pick-up voltage(Max)	75% 额定电压(Nominal voltage)		
释放电压(Min)	Drop-out voltage(Min)	10% 额定电压(Nominal voltage)		
允许最大电压(VDC)	Max allowable overdrive voltage(VDC)	130% 额定电压(Nominal voltage)		

线路图(底视图) / WIRING DIAGRAM (BOTTOM VIEW)



2C



2A

小型大功率继电器

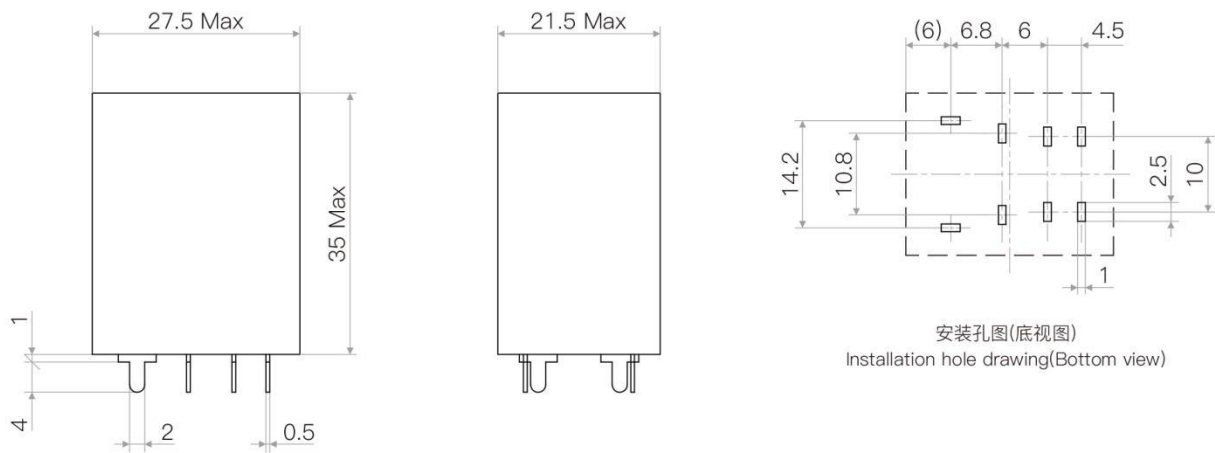
Miniature High Power Relay

10A

外形图 / OUTLINE DIMENSIONS

单位/Unit(mm)

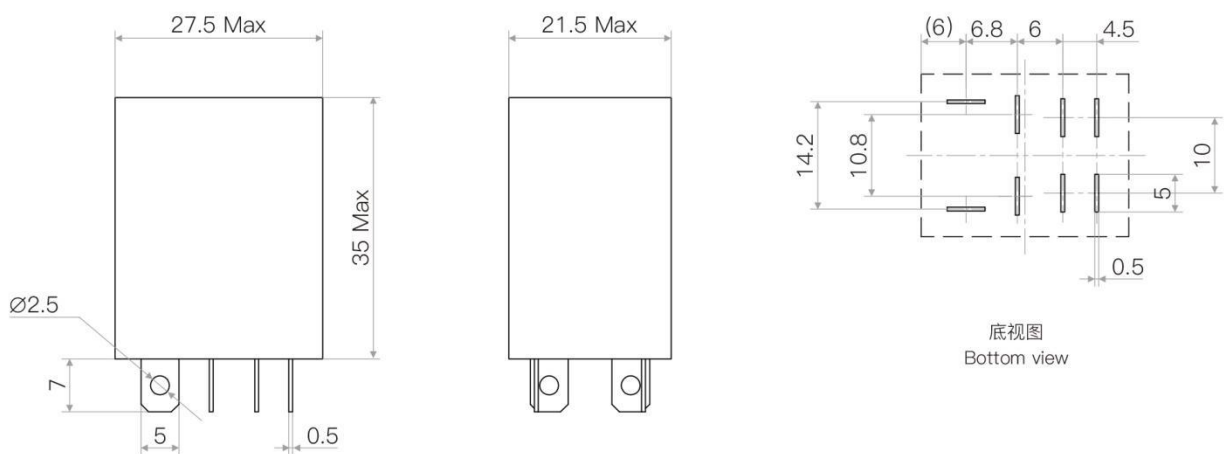
SMBH-12VDC-1-2C (2A)



未注公差/Tolerance:±0.3

端子垂直度/Terminal vertical deviation tolerance:0.3mm

SMBH-12VDC-2C (2A)



未注公差/Tolerance:±0.3

端子垂直度/Terminal vertical deviation tolerance:0.3mm

性能曲线图 / CHARACTERISTIC CURVES

